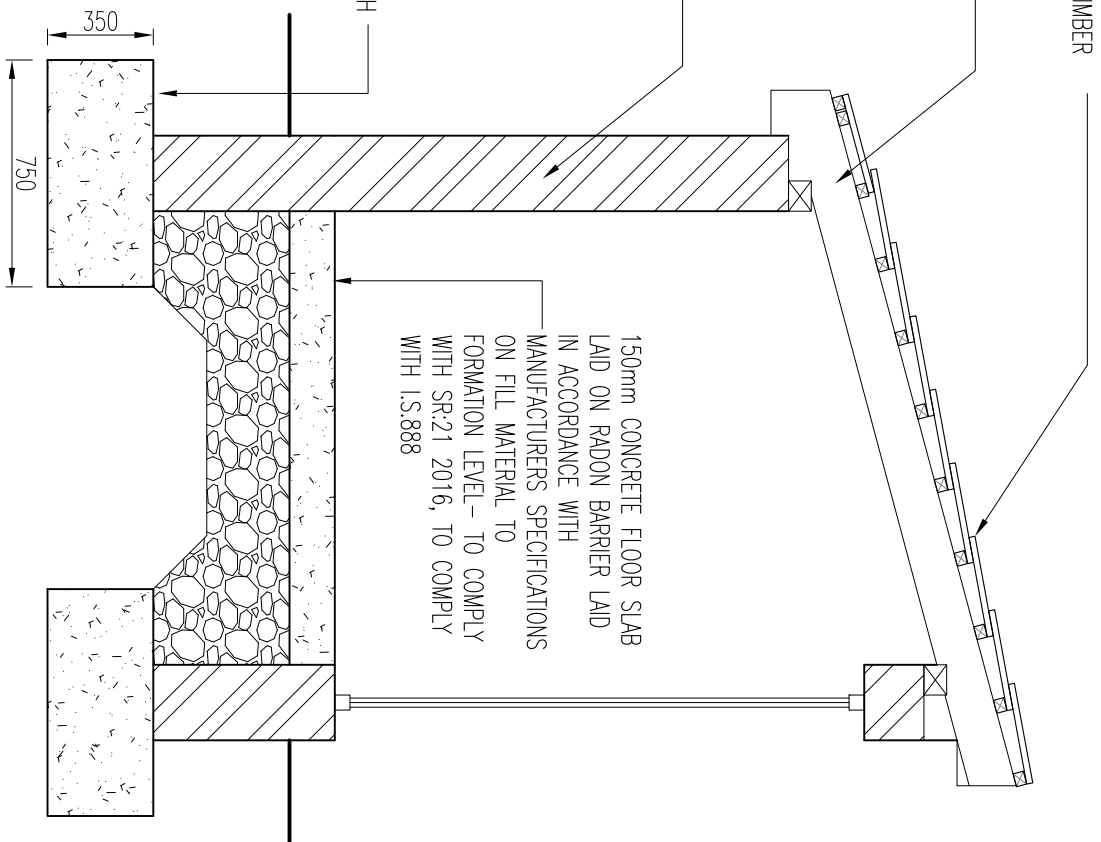


FLAT CONCRETE TILE FINISH TO CLIENTS SPECIFICATION ON 50X38mm GRADED TIMBER BATTENS ON SUITABLE REINFORCED BREATHABLE FELT MEMBRANE.
150X44mm C16 TIMBER RAFTERS, TO BE MAILED TO 100X75mm TREATED TIMBER WALL PLATE TO BE FIXED AS PER DETAILS.

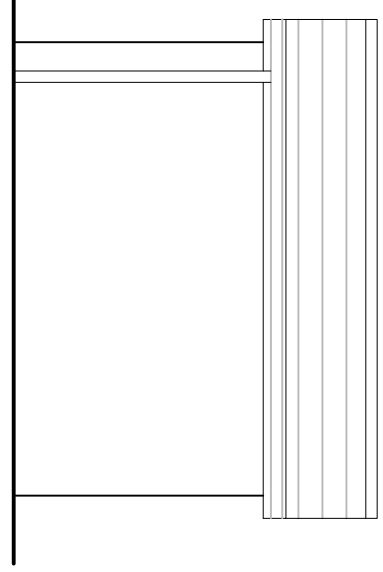
WALLS TO BE 215mm HOLLOW BLOCK CONSTRUCTION WITH A NAPPED RENDER FINISH EXTERNALLY AND SMOOTH RENDER FINISH INTERNALLY.

MIN. 750mm X 350mm, C28/35 CONCRETE REINFORCED WITH A393 MESH WITH 400mm LAPS AND 75mm COVER

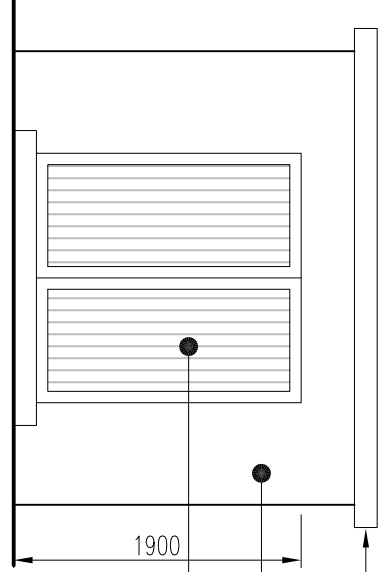
150mm CONCRETE FLOOR SLAB LAID ON RADON BARRIER LAID IN ACCORDANCE WITH MANUFACTURERS SPECIFICATIONS ON FILL MATERIAL TO FORMATION LEVEL - TO COMPLY WITH SR:21 2016, TO COMPLY WITH I.S.888



SECTION A-A
SCALE 1:25

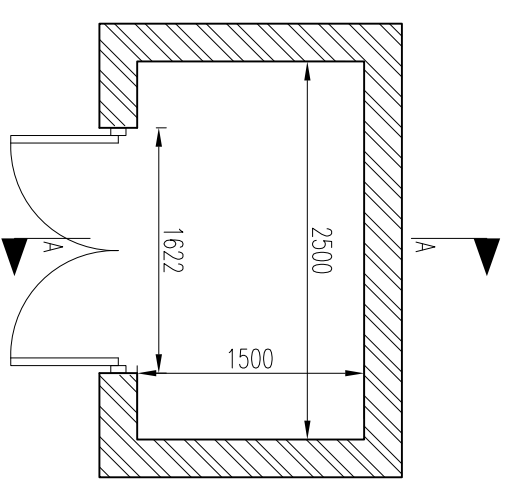


SIDE ELEVATION
SCALE 1:50

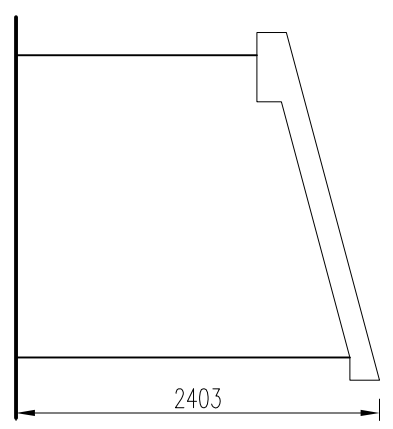


SIDE ELEVATION
SCALE 1:50

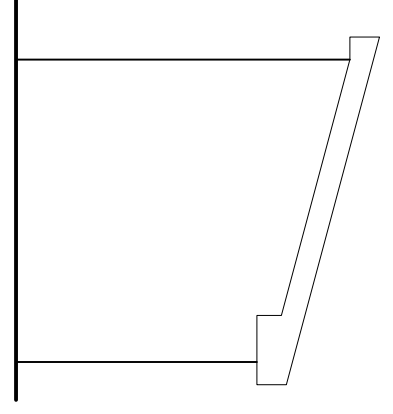
PVC FASCIA, SOFIT WITH WHITE PVC RAINWATER GOODS COLOUR TO CLIENTS SPECIFICATION.
MAPPED RENDER FINISH. PAINTED COLOUR TO CLIENTS SPECIFICATION
STEEL DOUBLE DOOR AND FRAME TO BE SHOT BLASTED AND GALVANISED PRIOR TO INSTALLATION. SIMPLE LOCKING MECHANISM TO BE INTEGRATED INTO FABRICATION TO ALLOW FOR SINGLE KEY LOCK.



FLOOR PLAN
SCALE 1:50



REAR ELEVATION
SCALE 1:50



FRONT ELEVATION
SCALE 1:50



Portlaoise Office
Lismard House,
Tinnahoe Road,
Portlaoise,
Co. Laois.
T:+353 (057)8663244

Dublin Office
Unit E6,
Centrepoint Business Park,
Oak Drive,
Dublin 12.
T:+353 (01) 4243035

Web: www.aocoa.ie
Email: info@aocoa.ie

Client: **Laois County Council**

Address: **Coolroe,
Ballybrittas,
Co Laois.**

Title: **Well Pump house.**

Scale: **As Shown**

Drawn By: **D.C**

Checked By: **D.M**

Date: **28.05.2020**

DWG No: **19-021-P-006**

Issue Type: **Part VIII Planning**

Revision No: **0**

Sheet Size: **A3**

Issued By: **Portlaoise**

Rev.No.	Revision/Issue	Initials

DO NOT SCALE FROM THIS DRAWING. USE FIGURED DIMENSIONS IN ALL CASES. VERIFY DIMENSIONS ON SITE AND REPORT ANY DISCREPANCIES TO THE ENGINEERS IMMEDIATELY. THIS DRAWING IS TO BE READ IN CONJUNCTION WITH THE ENGINEERS SPECIFICATION. THIS DRAWING IS COPYRIGHT AND MAY ONLY BE REPRODUCED WITH THE ENGINEERS PERMISSION.